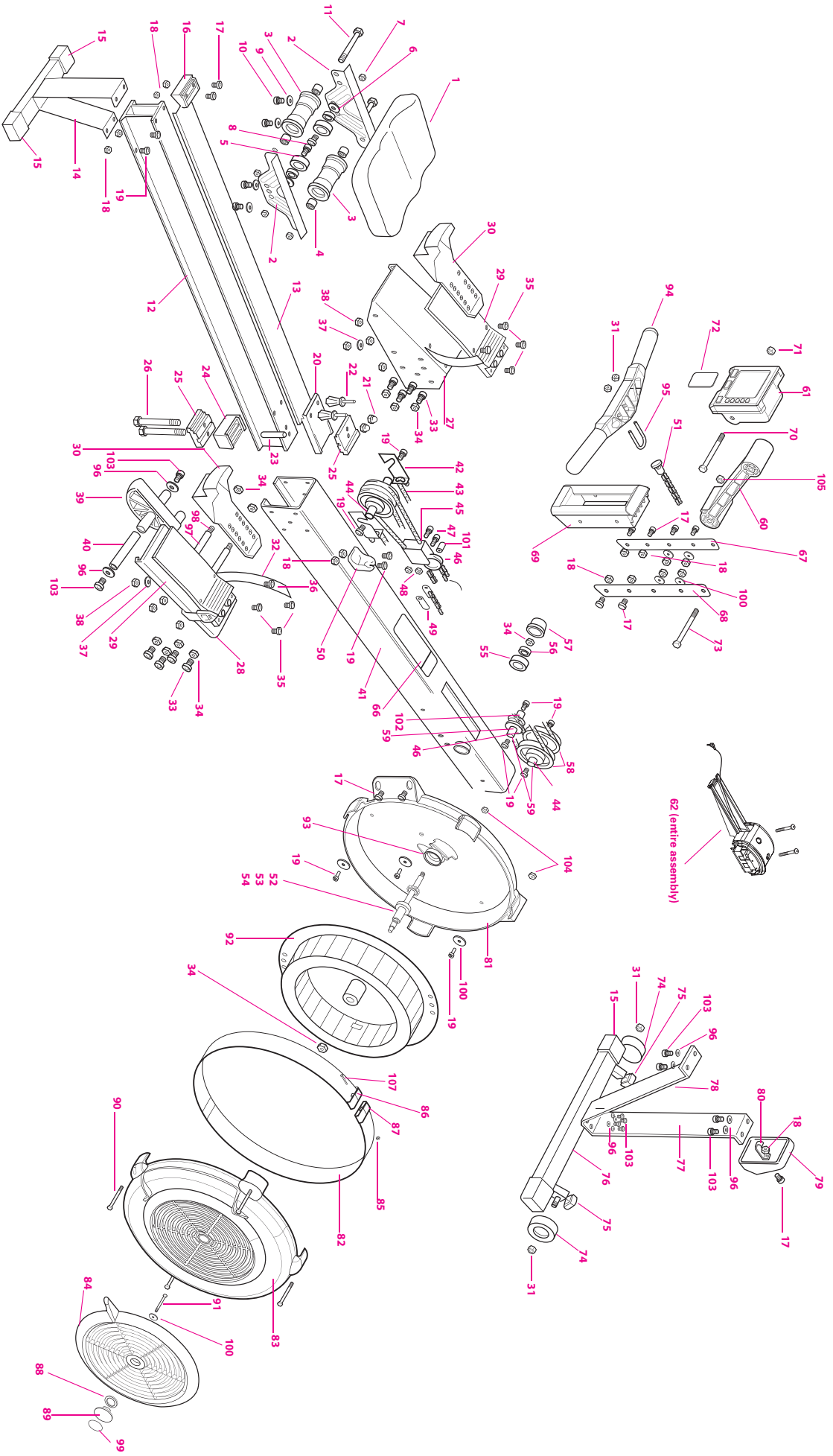


For Model D Indoor Rowers
made **BEFORE** July 31, 2006



価格表 MODEL D1

2014/4/1改定

No	品番	品名	価格
1	1929	Seat Top w/Screws	¥4,000
2	1923	Seat Carriage (left and right)	¥2,200
3	1724	Top Seat Roller x 2	¥4,500
4	1302	Seat Roller Spacer x 2	¥300
5	1725	Bottom Seat Roller x 2	¥2,400
6	125	Seat Roller Washer x 2	¥200
7	1209	Seat Roller Nut x 2	¥300
8	1208	Bottom Seat Roller Bolt x 2	¥400
9	1246	Seat Top Lock Washer x 4	¥400
10	1207	Seat Top Screw x 4	10に含む
11	1211	Top Seat Roller Bolt x 2	¥400
12	1907	Monorail Assy. D w/Track	¥36,000
13	1762	Track/Tape Assembly w/Rive	¥5,500
14	1175	Rear Leg	¥7,000
15	119	Foot Cap x 2	¥1,000
16	1008	Rear Bumper	¥800
17	1201	3/4" Head Screw x 2	¥150
18	1213	1/4 20 Nut (x2)	¥120
19	1231	Button Head Screw Patched	¥150
20	1006	Top Front Bumper	¥1,000
21	1217	Acorn Nut	¥150
22	1251	Poly Rivet x 2	¥400
23	1103	Monorail Bolt Tube	¥250
24	1007	Bottom Front Bumper	¥700
25	1102	Monorail Hanger x 2	¥2,800
26	1204	Monorail Hanger Bolt x 2	¥500
27	1170	Left Foot Bracket	¥6,200
28	1171	Right Foot Bracket	¥6,200
29	1720	Toe Piece x 2	¥2,200
30	1017	Flex foot x 2	¥4,000
31	1235	1/4" Nylock Nut x 2	¥200
32	1501	Foot Strap x 2	¥1,800
33	1210	Foot Bracket Screws	¥120
34	1244	3/8" Nylock Nut	¥100
35	1227	Short Toe Piece Screw x 3	¥150
36	1228	Long Toe Piece Screw x 1	¥50
37	1229	Toe Piece Washer x 2	¥50
38	1212	Nylock Nut Toe Piece	¥50
39	1792	Frame Lock	¥2,510
40	1144	Frame Lock Axle	¥700
41	1178	Box Frame	¥20,000
42	1104	S.C.A.M. x2	¥2,000
43	1731	Shock Cord	¥2,500
44	1310	SC Pulley Spacer x2	¥200
45	1756	Traveling Pulley Assy	¥1,600
46	1024	Chain Idler Pulley x 2	¥1,200
47	1206	Screw for Traveling Pulley x 2	¥200
48	1249	Nut Traveling Pulley x 2	¥120
49	285	Chain with Connector	¥400
50	1754	Handle Hook	¥800
51	1716	Chain	¥5,000

No	品番	品名	価格
52	1165	Flywheel Axle	¥4,500
53	1300	17mm Bearing	¥1,400
54	1739	Sprocket D/E	¥3,000
55	1013	R8 Bearing Cup	¥400
56	232	R8 Bearing	¥1,200
57	1010	Bearing Cover	¥500
58	1011	Shock Cord Pulley x2	¥2,000
59	1130	Axle Shock Cord	¥900
60	1025	Monitor Arm	¥2,500
61	1874	PM3 Monitor	¥26,000
62	1887	Generator Assembly	¥4,500
66	1533	Technique Label	¥300
67	1169	Chain Guide Bracket Left	¥2,200
68	1168	Chain Guide Bracket Right	¥2,200
69	1003	Chain Guide	¥2,400
70	1268	Monitor Arm Bolt	¥300
71	1271	Hexnut 3/8	¥150
72	1810	Log Card	¥1,500
73	1224	Monitor Arm Bolt	¥200
74	1308	Castor Wheels x2	¥1,200
75	1309	Castor Stop x 2	¥250
76	1925	Front Foot Assembly	¥5,000
77	1173	Front Leg Long	¥3,600
78	1172	Front Leg Short	¥3,400
79	1009	End Cap	¥1,000
80	1131	End Cap Hook	¥600
81	1031	Flywheel Cover Back	¥4,000
82	1912	Outlet Perf w/connectors	¥3,500
83	1942	Flywheel Cover Front Assembl	¥5,500
84	1033	Damper	¥2,500
85	1274	1275 Outlet Perf Screw & Nu	¥200
86	1035	Perf Connector Screw Side	¥500
87	1036	Perf Connector Nut Side	¥500
88	1278	Wave Washer	¥300
89	1034	Hub Cap	¥400
90	1276	Flywheel Cover Bolt x 4	¥350
91	1273	Damper Screw	¥100
92	1940	Flywheel Assembly w/Magnet	¥12,000
93	1012	17mm Bearing Rubber Cup	¥500
94	1040	Handle W/ Grips	¥4,000
95	244	Handle U-Bolt	¥500
96	1205	Lock Washer x 4	103に含む
97	1105	Hanger Bolt Tube x 2	¥500
98	1203	Hanger Bolt x 2	¥400
99	1534	Hub Cap Label	¥300
100	1232	Fender Washer	¥50
101	1303	Traveling Pulley Spacer	¥200
102	1305	Idler Pulley Spacer x 2	¥400
103	1248	Long Allen Screw x4	¥350
104	327	Nut #10 SS (4)	¥200
105	1270	Nylock 3/8 - 16 SS	¥100
	1916	CHAIN &D SPROCKET	¥7,000

備考

価格は消費税別・送料別です。

在庫がない商品もありますのでお問い合わせください。