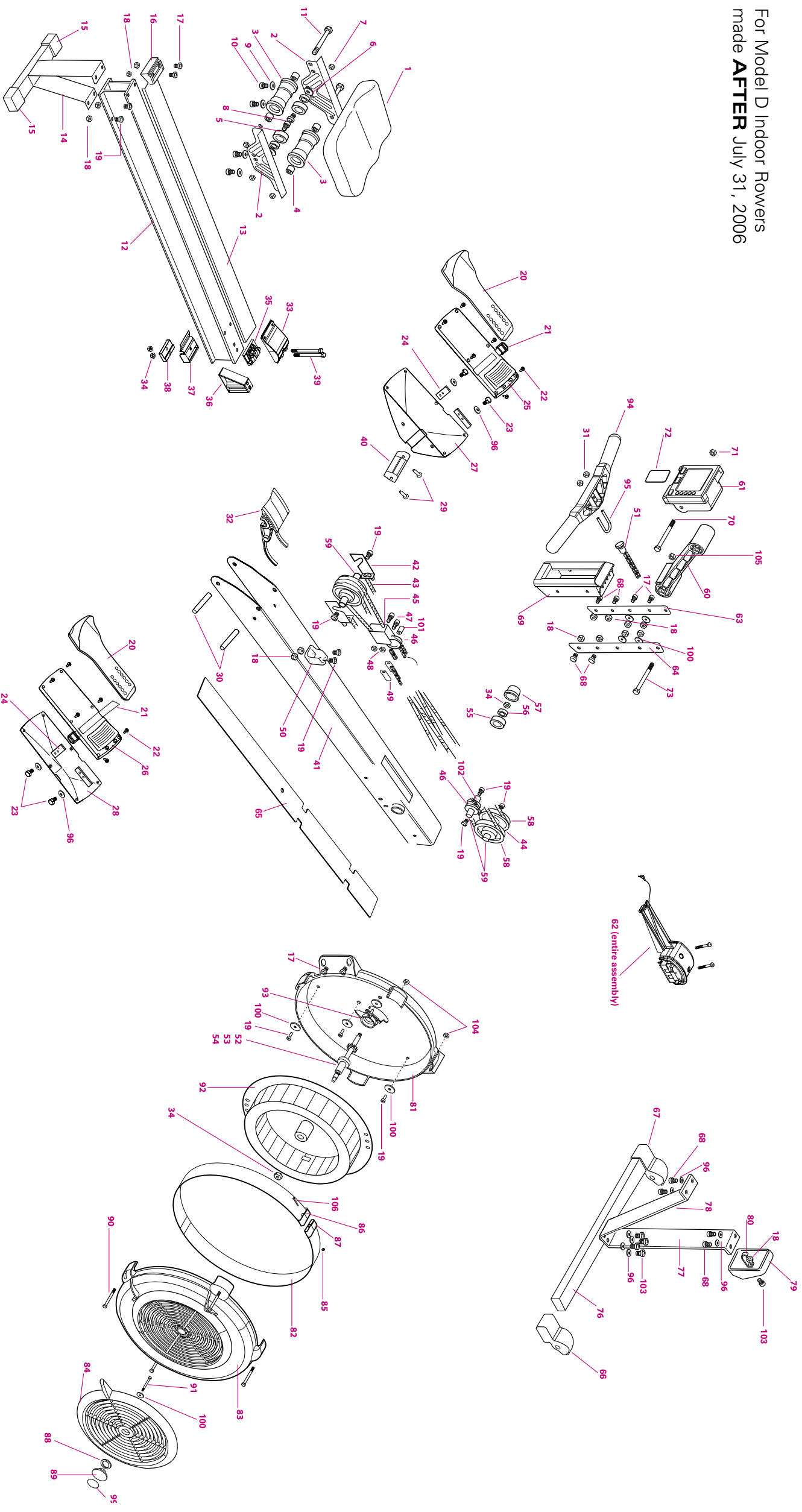


**MODEL D SCHEMATIC**

For Model D Indoor Rowers  
made **AFTER** July 31, 2006



## 価格表 MODEL D2

2014/4/1改定

No	品番	品名	価格
1	1929	Seat Top w/Screws	¥4,000
2	1138	Seat Carriage Left	¥2,200
	1137	Seat Carriage Right	¥2,200
3	1724	Top Roller (x2)	¥4,500
4	1302	Seat Spacer (x2)	¥300
5	1725	Bottom Roller (x2)	¥2,405
6	125	Washer 3/8 (x2)	¥200
7	1209	Nut 3/8 - 16 BC Nylock	¥300
8	1208	Bottom Seat Roller Bolt x 2	¥400
9	1246	Seat Top Lock Washer x 4	10に含む
10	1207	Seat Top Screw x 4	¥400
11	1211	Top Seat Roller Bolt x 2	¥400
12	1954	Monorail Assy D w/Track	¥36,000
13	1762	Track/Tape Assembly w/Rive	¥5,500
14	1951	Rear Leg Model D2 w/Feet	¥7,000
15	1044	Foot Cap D2/E (x2)	¥1,000
16	1008	Rear Bumper	¥800
17	1201	3/4" Head Screw x 2	¥150
18	1213	1/4 20 Nut (x2)	¥120
19	1231	Button Head Screw Patched	¥150
20	1063	Flexfoot Grey D2 & E x2	¥4,000
21	1517	Footstrap (x2)	¥1,800
22	1241	10 x 1/2 TFS screw x6	¥300
23	1243	Screw20 x 5/8 HCS x2	¥200
24	1139	Reinforcing Bracket x2	¥600
25	1055	Cover Foot Stretcher Left	¥1,100
26	1054	Cover Foot Stretcher Right	¥1,100
27	1057	Belly Left Footstretcher	¥2,500
28	1056	Belly Right Footstretcher	¥2,500
29	1242	10 x 3/4 TFS screw x2	¥120
30	1101	Hanger Shaft Threaded	¥800
31	1235	Nut 1/4 - 20 Nylock SS x2	¥200
32	1041	Mouse	¥1,200
33	1038	Upper Hanger Plastic	¥1,300
34	1244	3/8" Nylock Nut	¥100
35	1153	Upper Die Cast Hanger	¥1,300
36	1062	Monorail Bolt Support	¥1,400
37	1039	Lower Hanger Plastic	¥800
38	1154	Lower Die Cast Hanger	¥1,000
39	1204	Monorail Hanger Bolt x 2	¥500
40	1037	Compression Member	¥800
41	1129	Box Frame D2	¥20,000
42	1104	SCAM x2	¥2,000
43	1731	Shock Cord	¥2,500
44	1310	SC Pulley Spacer x2	¥200
45	1756	Traveling Pulley Assy	¥1,600
46	1024	Chain Idler Pulley x2	¥1,200
47	1206	Screw for Traveling Pulley x 2	¥200
48	1249	Nut Traveling Pulley x 2	¥120
49	285	Chain Connector Small	¥400
50	1058	Handle Hook Model D2/E	¥800
51	1716	Chain with Connector	¥5,000
52	1165	Axle D/E	¥4,500

No	品番	品名	価格
53	1163	Sprocket D/E	¥3,000
54	1300	17mm Bearing	¥1,400
55	1013	R8 Bearing Cup	¥400
56	232	Bearing R8	¥1,200
57	1010	Bearing Cover	¥500
58	1011	Shock Cord Pulley x2	¥2,000
59	1130	Axle Shock Cord	¥900
60	1025	Monitor Arm Black	¥2,500
61	1874	PM3 Monitor	¥26,000
62	1887	Power Generator Assembly	¥4,500
63	1168	Guide Bracket Left	¥2,200
64	1169	Guide Bracket Right	¥2,200
65	1526	Return Mechanism Cover	¥1,000
66	1059	Footcaster Right	¥1,200
67	1060	Footcaster Left	¥1,200
68	1253	Short Allen Screw x4	¥350
69	1003	Chain Guide	¥2,400
70	1268	Monitor Arm Bolt	¥300
71	1271	Hexnut 3/8	¥150
72	1810	Logcard	¥1,500
73	1266	HSC 3/8 x 4 SS	¥300
76	1925	Front Foot w/Casters	¥5,000
77	1173	Leg Front Long D	¥3,600
78	1172	Leg Front Short D	¥3,400
79	1009	End Cap	¥1,000
80	1131	End Cap Hook	¥600
81	1031	Flywheel Cover Back D	¥4,000
82	1912	Outlet Perf w/Connectors an	¥3,500
83	1942	Fan Cover Assy. D	¥5,500
84	1061	Damper D2 / E	¥2,500
85	1274	1275 Outlet Perf Screw & N	¥200
86	1035	Perf Connector Screw Side	¥500
87	1036	Perf Connector Nut Side	¥500
88	1278	Wave Washer	¥300
89	1067	Hub Cap Model D2 / E	¥400
90	1276	Flywheel Cover Bolt x 4	¥350
91	1273	Damper Screw	¥100
92	1940	Flywheel Assembly (machine	¥12,000
	2940	Flywheel Assembly (machine	¥12,000
93	1012	17mm Bearing Rubber Cup	¥500
94	1042	Handle W/ Grips	¥4,000
95	244	Handle U-Bolt	¥500
96	1205	Lock Washers 103/68に含む	¥0
99	1534	Hubcap label	¥300
100	1232	Fender Washer	¥50
101	1303	Traveling Pulley Spacer	¥200
102	1305	Idler Pulley Spacer (x2)	¥400
103	1248	Long Allen Screw x4	¥350
104	327	Nut #10 SS (4)	¥200
105	1270	Nylock 3/8 - 16 SS	¥100
106	1274	Pan PH #6 x 2 SS	85に含む
107	1251	Poly Rivet	¥400
	1916	CHAIN &D SPROCKET	¥7,000

備考

価格は消費税別・送料別です。

在庫がない商品もありますのでお問い合わせください。