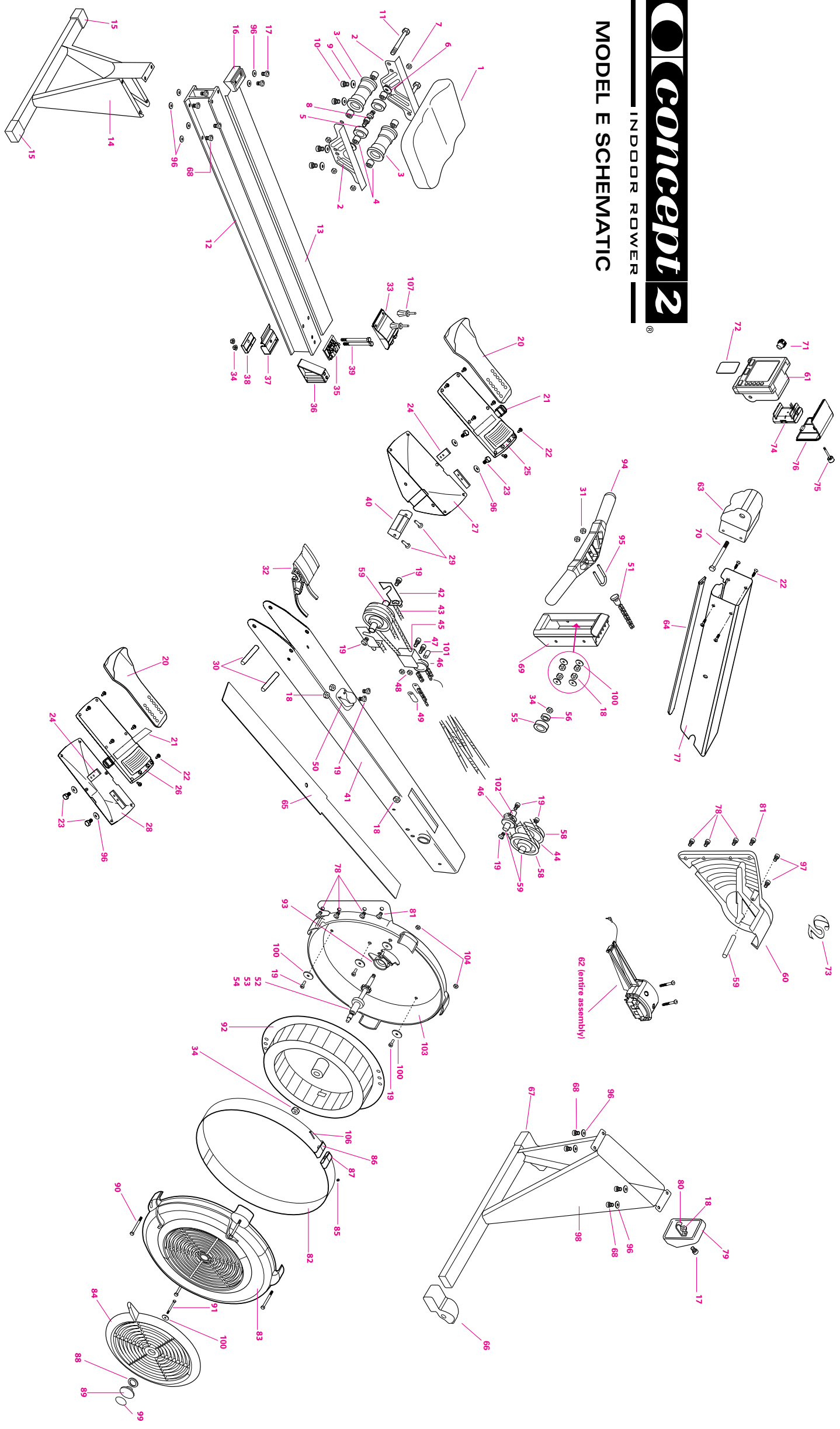




INDOOR ROVER

MODEL E SCHEMATIC



価格表 MODEL E

2014/4/1改定

No	品番	品名	価格
1	1929	Seat Top w/screws	¥4,000
2	1138	Seat Carriage Left	¥2,200
	1137	Seat Carriage Right	¥2,200
3	1724	Top Roller (x2)	¥4,500
4	1302	Seat Spacer (x2)	¥300
5	1725	Bottom Roller (x2)	¥2,400
6	125	Washer 3/8 (x2)	¥200
7	1209	Nut 3/8 - 16 BC Nylock (x2)	¥300
8	1208	Bottom Seat Roller Bolt(x2)	¥400
9	1246	Seat Top Lock Washer x 4	10に含む
10	1207	Seat Top Screw x 4	¥400
11	1211	Top Seat Roller Bolt x 2	¥400
12	1955	Monorail with Track Assembly	¥45,000
13	1762	Track/Tape Assembly w/Rive	¥5,500
14	1971	Rear Leg with Feet	¥15,000
15	1044	Foot Cap D2/E (x2)	¥1,000
16	1008	Rear Bumper	¥800
17	1248	Long Allen Screw x4	¥350
18	1213	1/4 20 Nut (x2)	¥120
19	1231	Button Head Screw Patched	¥150
20	1063	Flexfoot Grey D/E (x2)	¥4,000
21	1517	Footstrap (x2)	¥1,800
22	1241	10 x 1/2 TFS screw x6	¥300
23	1243	Screw20 x 5/8 HCS (x2)	¥200
24	1139	Reinforcing Bracket (x2)	¥600
25	1055	Cover Foot Stretcher Left	¥1,100
26	1054	Cover Foot Stretcher Right	¥1,100
27	1057	Belly Left Footstretcher	¥2,500
28	1056	Belly Right Footstretcher	¥2,500
29	1242	10 x 3/4 TFS screw (x2)	¥120
30	1101	Hanger Shaft Threaded	¥800
31	1235	1/4" Nylock Nut x 2 (x2)	¥200
32	1041	Mouse	¥1,200
33	1038	Upper Hanger Plastic	¥1,300
34	1244	3/8" Nylock Nut	¥100
35	1153	Upper Die Cast Hanger	¥1,300
36	1062	Monorail Bolt Support	¥1,400
37	1039	Lower Hanger Plastic	¥800
38	1154	Lower Die Cast Hanger	¥1,000
39	1204	Monorail Hanger Bolt x 2	¥500
40	1037	Compression Member	¥800
41	1140	Box Frame E	¥22,000
42	1104	SCAM (x2)	¥2,000
43	1731	Shock Cord	¥2,500
44	1310	SC Pulley Spacer	¥200
45	1756	Traveling Pulley Assy	¥1,600
46	1024	Chain Idler Pulley x 2	¥1,200
47	1206	Screw for Traveling Pulley x 2	¥200
48	1249	Nut Traveling Pulley x 2	¥120
49	285	Chain Connector Small	¥400
50	1058	Handle Hook Model D2/E	¥800
51	1941	Chain w/connectors	¥6,000
52	1165	Axle	¥4,500

No	品番	品名	価格
53	1163	Sprocket D/E	¥3,000
54	1300	Bearing 17mm	¥1,400
55	1013	R8 Bearing Cup	¥400
56	232	R8 Bearing	¥1,200
58	1011	Shock Cord Pulley (x2)	¥2,000
59	1130	Axle Shock Cord	¥900
60	1938	Chain Housing with C2 Emble	¥3,500
61	1876	PM4 Monitor	¥34,000
62	1887	Generator Assembly	¥4,500
63	1068	Monitor Mount	¥1,500
64	1553	E Monitor Arm Cover	¥700
65	1526	Return Mechanism Cover	¥1,000
66	1059	Footcaster Right	¥1,200
67	1060	Footcaster Left	¥1,200
68	1253	Short Allen Screw x4	¥350
69	1003	Chain Guide	¥2,400
70	1268	Monitor Arm Bolt	¥300
71	1284	Knob Monitor Mount	¥350
72	1810	Logcard	¥1,500
73	1552	C2 Nameplate Emblem	¥800
74	1493	PM4 Rechargeable Battery Pa	¥2,000
75	1290	Thumbscrew Battery Door	¥300
76	1456	Battery Cover PM3/4	¥500
77	1142	Monitor Arm Model E	¥5,000
78	1247	Screw Button Patchedx3	¥200
79	1009	End Cap	¥1,000
80	1131	End Cap Hook	¥600
81	1233	HSBH 1/4 x 20 x 1 SS unpatd	¥80
82	1912	Outlet Perf with Connectors	¥3,500
83	1944	Fan Cover Assy E	¥5,500
84	1061	Damper D2 / E	¥2,500
85	1274	1275 Outlet Perf Screw & Nu	¥200
86	1035	Perf Connector Screw Side	¥500
87	1036	Perf Connector Nut Side	¥500
88	1278	Wave Washer	¥300
89	1067	Hub Cap Model D2 / E	¥400
90	1276	Flywheel Cover Bolt (x4)	¥350
91	1273	Damper Screw	¥100
92	2940	Flywheel Assembly	¥12,000
93	1012	17mm Bearing Rubber Cup	¥500
94	1042	Handle W/ Grips	¥4,000
95	244	Handle U-Bolt	¥500
96	1205	Lock Washers 68/17に含む	¥0
97	1250	Screw 20 x 1.5 SS Button (x2)	¥120
98	1972	Front Leg and Foot with Cast	¥16,000
99	1534	Label Hub Cap D/E	¥300
100	1232	Fender Washer	¥50
101	1303	Traveling Pulley Spacer	¥200
102	1305	Idler Pulley Spacer (x2)	¥400
103	1066	Flywheel Cover Back E	¥4,000
104	327	Nut #10 SS (x4)	¥200
106	1274	Pan PH #6 x SS	85に含む
107	1251	Rivet(x2)	¥400
	1916	CHAIN &D SPROCKET	¥7,000

備考
 価格は消費税別・送料別です。
 在庫がない商品もありますのでお問い合わせください。